








Order form Sunbreaker 210 moveable

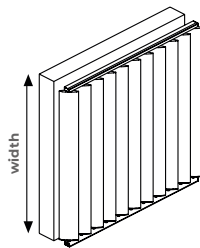
For order number:

1. Select the type of blade and plugs

 TYP A	 universal
 TYP B	 universal*
	 TYP B

*does not cover the entire surface of the blade

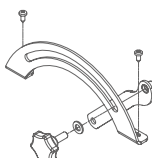
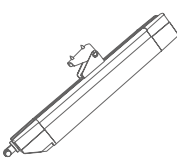
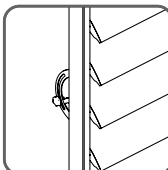
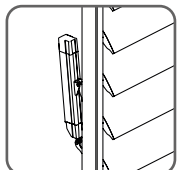
2. Specify how the system is to be installed



vertical wall mounted drive at the bottom ONLY

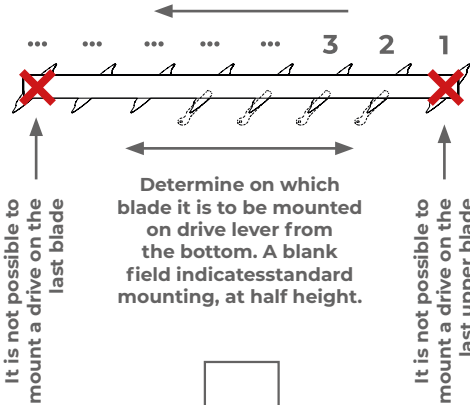
The SUNBREAKER 210 system can be installed in a niche 3or on a substructure. NO BRACKETS FOR FAÇADE MOUNTING!!!

3. Select drive type

	
 MANUAL DRIVE	 LINEA ENGINE

4. On which blade is to be mounted the lever for the drive, counting from the bottom

Direction of blade numbering








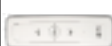




Determine on which blade it is to be mounted on drive lever from the bottom. A blank field indicates standard mounting, at half height.

5. Choose your colours

	BEIGS			WHITES		DARK GREY			ANTHRACITS					BLACK			BLACK	BRONZE		OTHER COLOUR RAL								
COLOUR FROM SELT COLLECTION	VSR 240	RAL 1015	RAL 1013	RAL 9001	RAL 9010	RAL 9016	RAL 7035	RAL 9006	RAL 7001	RAL 7037	RAL 9007	RAL 7012	DB 703	FSM 71319	RAL 7015	RAL 7039	RAL 7024	RAL 7016	RAL 7021	RAL 7043	RAL 7022	RAL 9005	RAL 8014	RAL 8016	VSR 780	RAL 8003		
Construction Colour																												
PVC Parts Colour																												

6. Automation

6.1. Wired control			6.2. Somfy RTS radio control			6.3. Somfy IO radio control		
	INIS switch flush mounted (RT)	<input type="checkbox"/>		Remote control receiver flush mounted Universal Receiver RTS (FD)	<input type="checkbox"/>		Remote control receiver Pergola remote control receiver Slim receiver io (NI)	<input type="checkbox"/>
	INIS WT switch with surface frame (RU) flush mounted (RT)	<input type="checkbox"/>		Remote control receiver Universal Slim Receiver RTS Stak3/Stas3 (FD)	<input type="checkbox"/>		Single-channel remote control Situo 1 io PURE II (3M)	<input type="checkbox"/>
	Smooove switch UNO WT p/t flush mounted (RV) with surface frame (RU) flush mounted (RT)	<input type="checkbox"/>		Single-channel remote control Situo 1 PURE (FP)	<input type="checkbox"/>		Five-channel remote control Situo 5 io PURE II (3S)	<input type="checkbox"/>
				Five-channel remote control Situo 5 PURE (FU)	<input type="checkbox"/>			

